

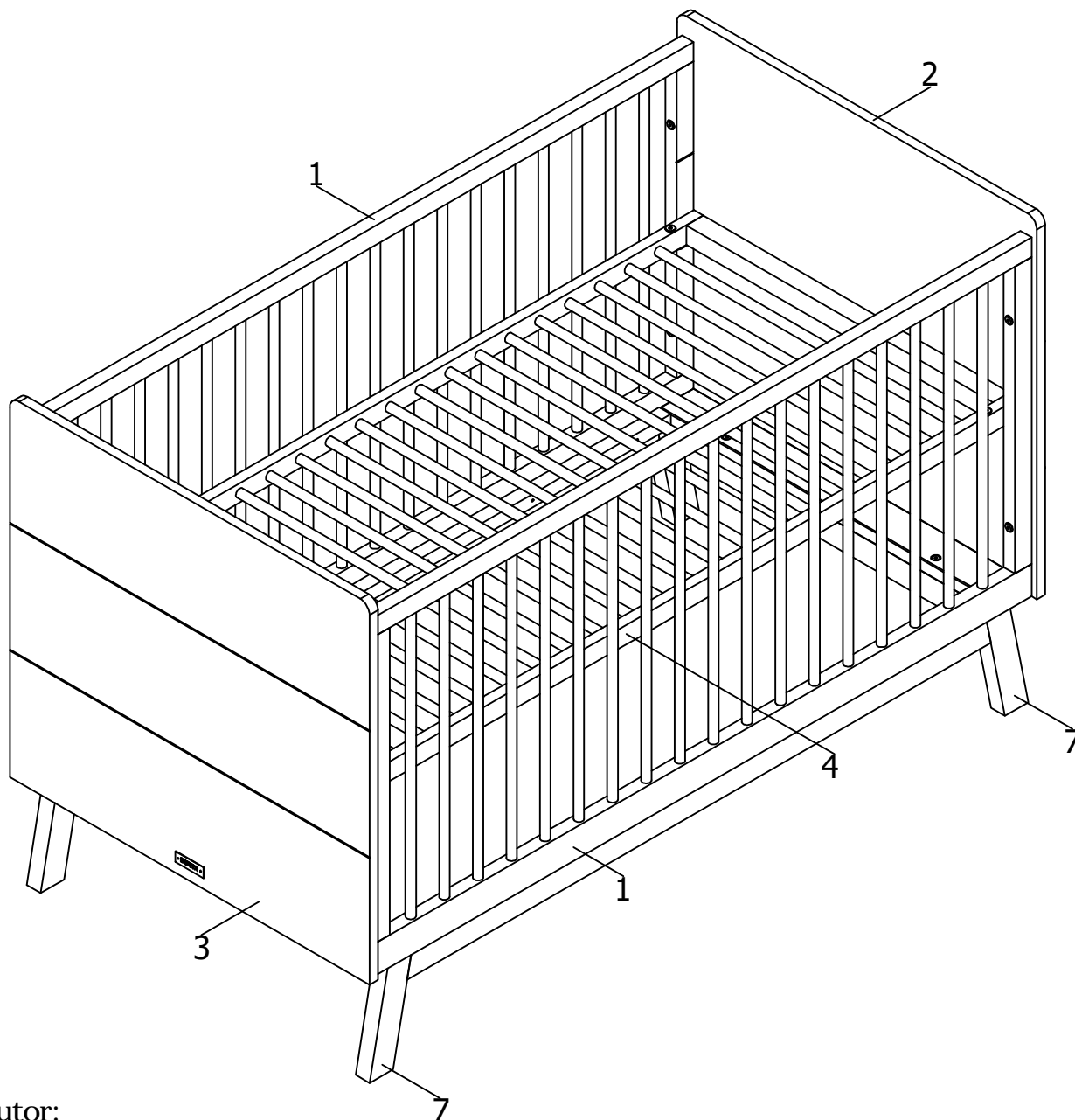
bopita®

ASSEMBLY INSTRUCTION
MONTAGE HANDLEIDING
MONTAGE ANLEITUNG
NOTICE DE MONTAGE
MANUAL DE MONTAJE

UK
NL
D
F
ESP

MODEL
TYPE
COLOUR
ART. CODE

: LINES
: BENCHBED 70X140
: DUNE/NATURAL
: 163190.59








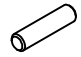



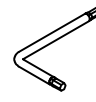
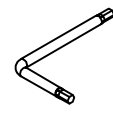
Distributor:

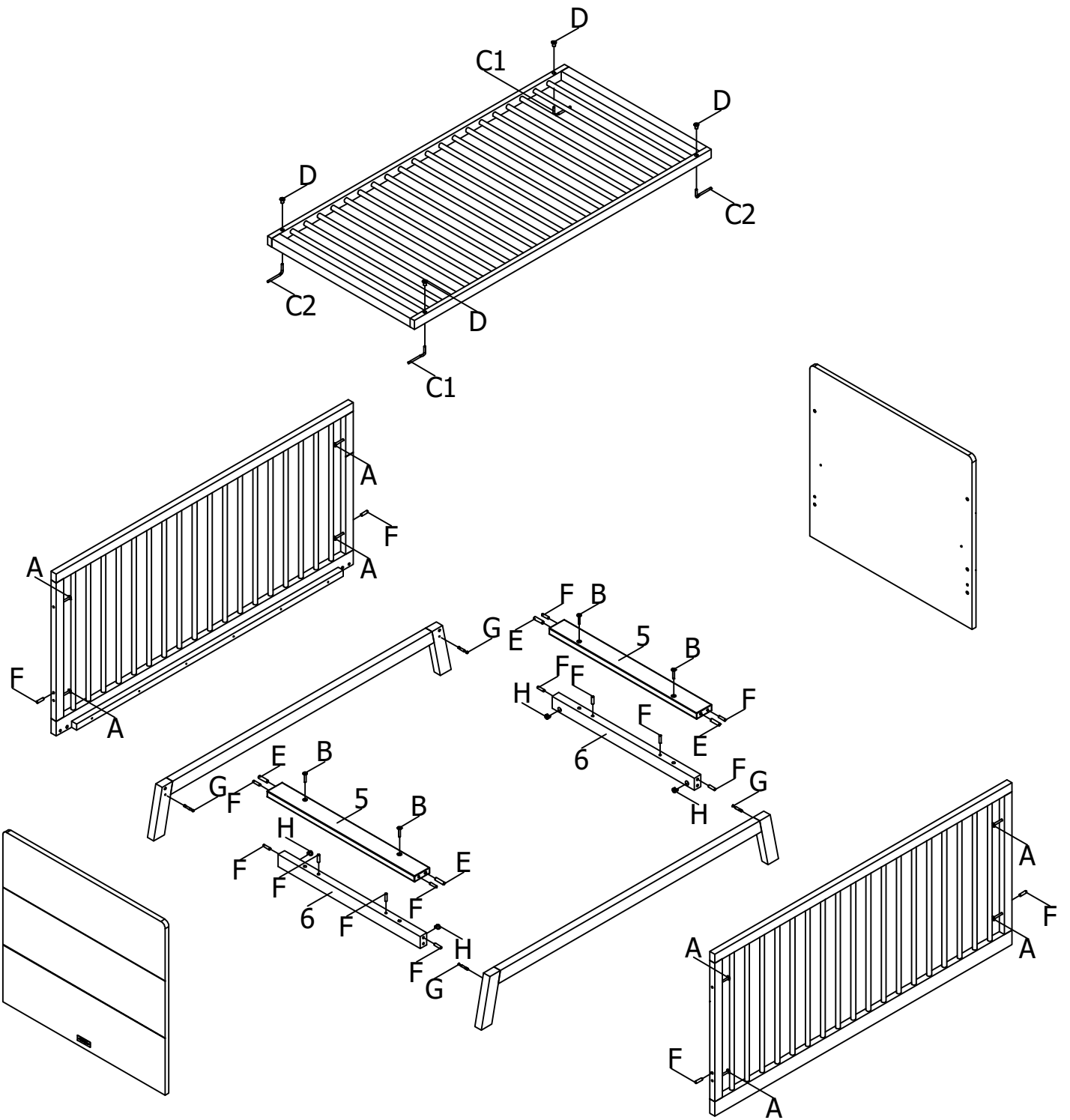
BOPITA
Energieweg 1
6662 NS Elst
The Netherlands

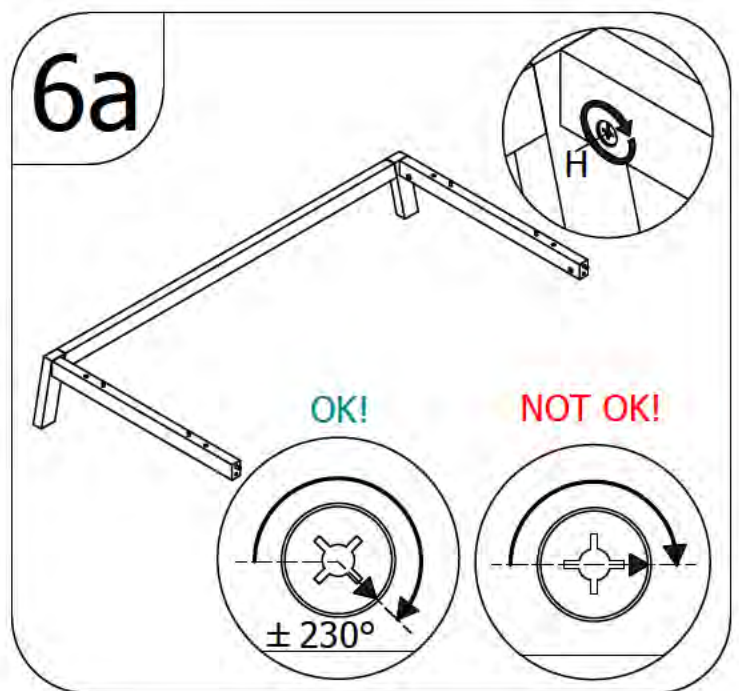
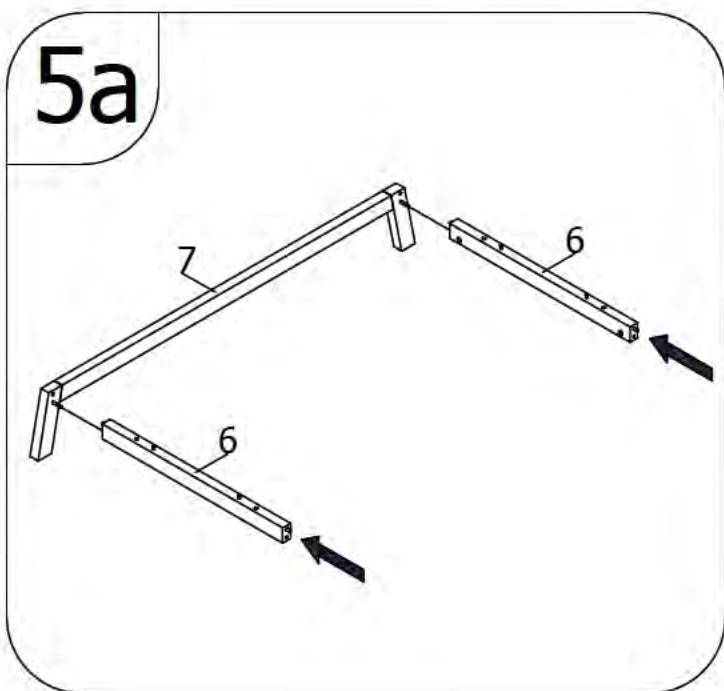
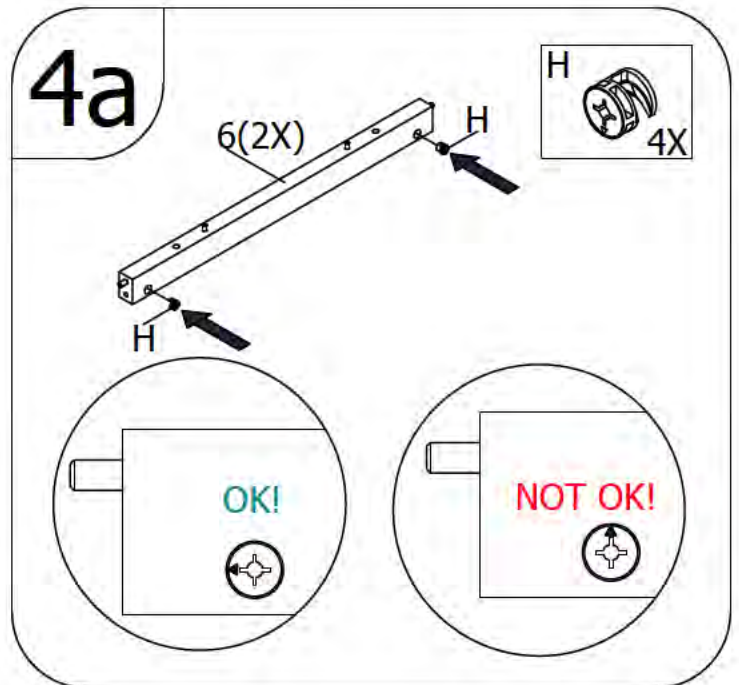
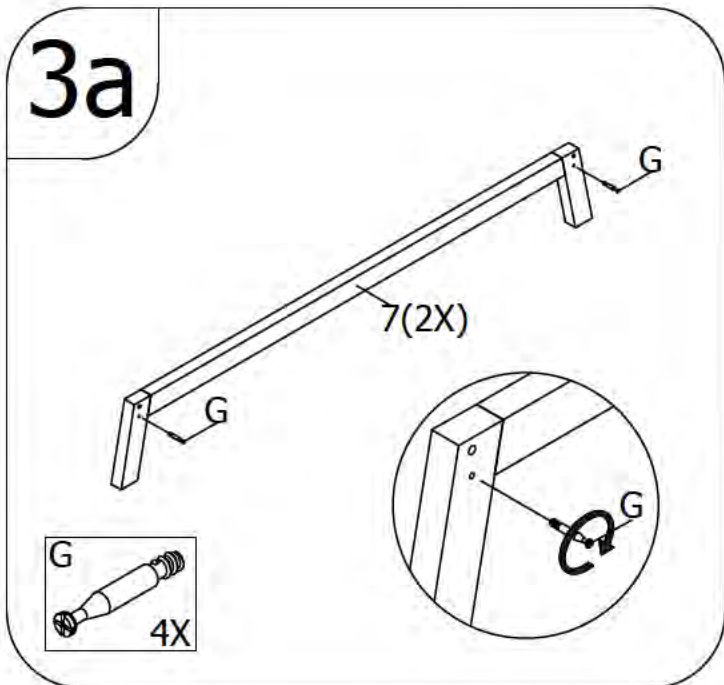
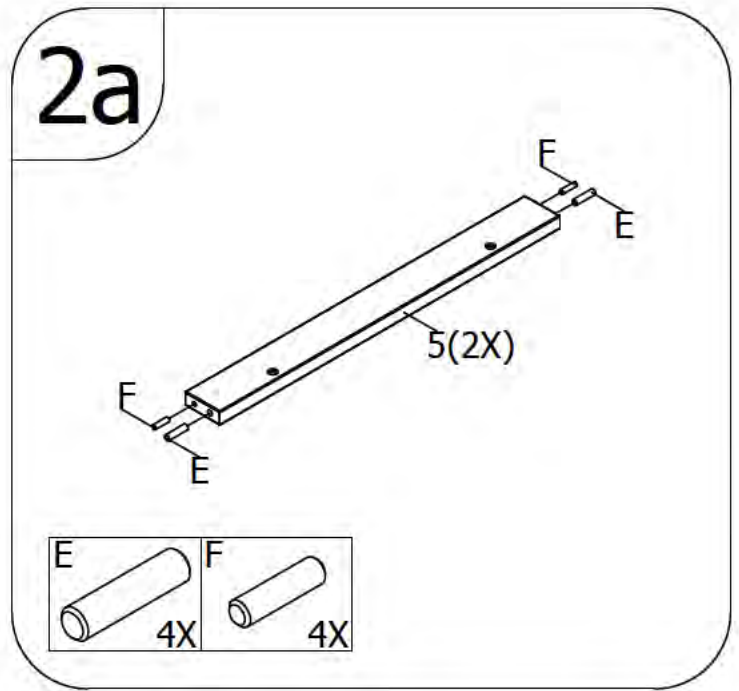
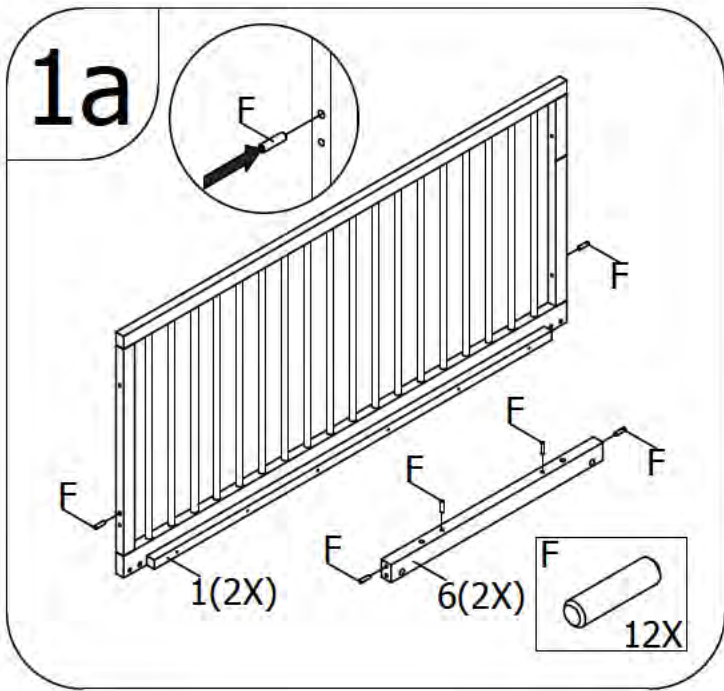
www.bopita.com



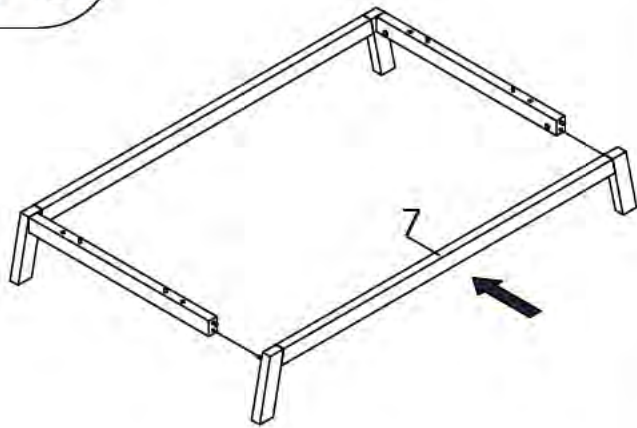
12.07.2023.

 A M6X50 8X	 B M6X35 4X	 C1 2X	 C2 2X	 D M6 4X	 E Ø10X40 4X
 F Ø8X30 16X	 G 4X	 H 4X	 I SW4 1X	 J SW5 1X	

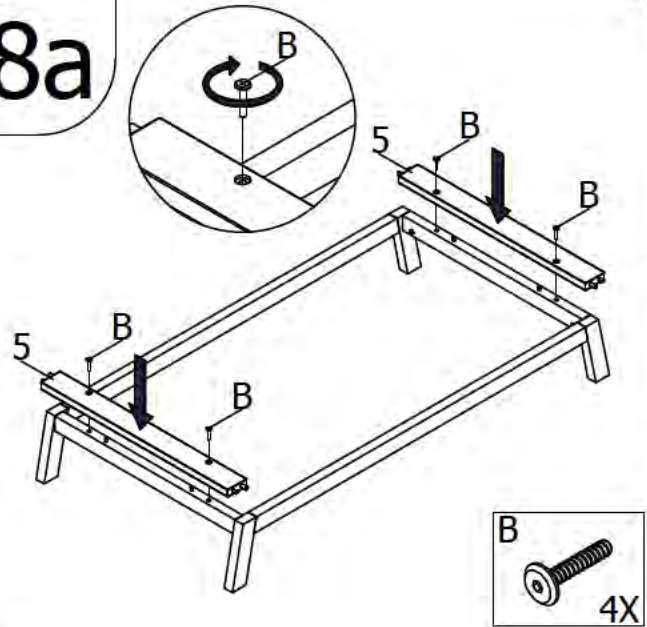




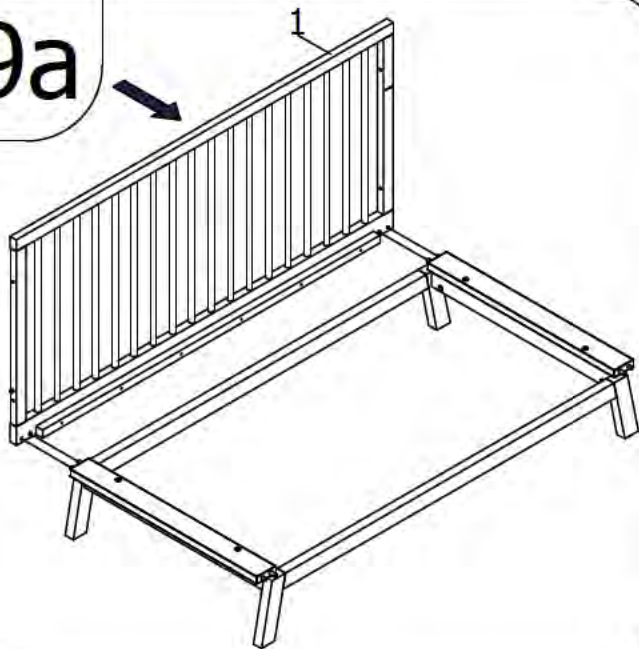
7a



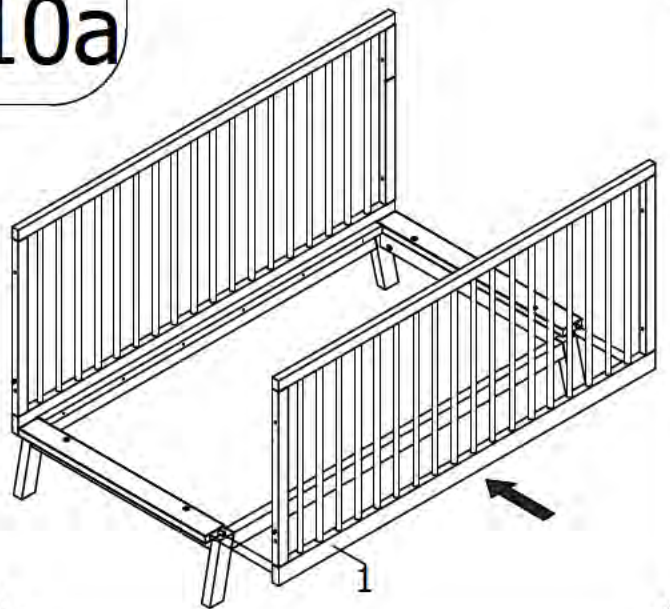
8a



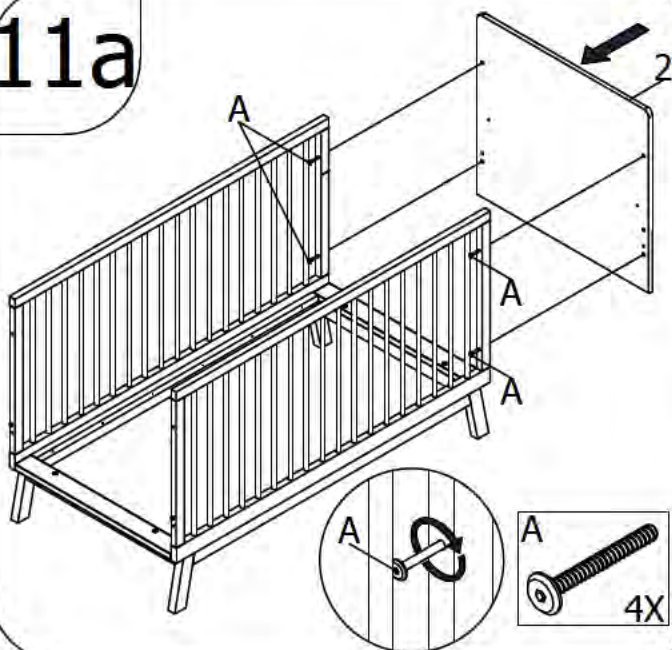
9a



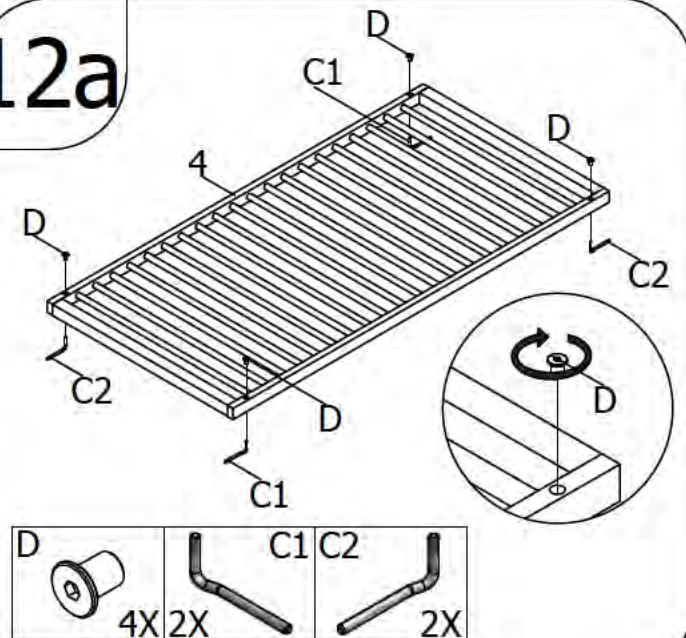
10a



11a



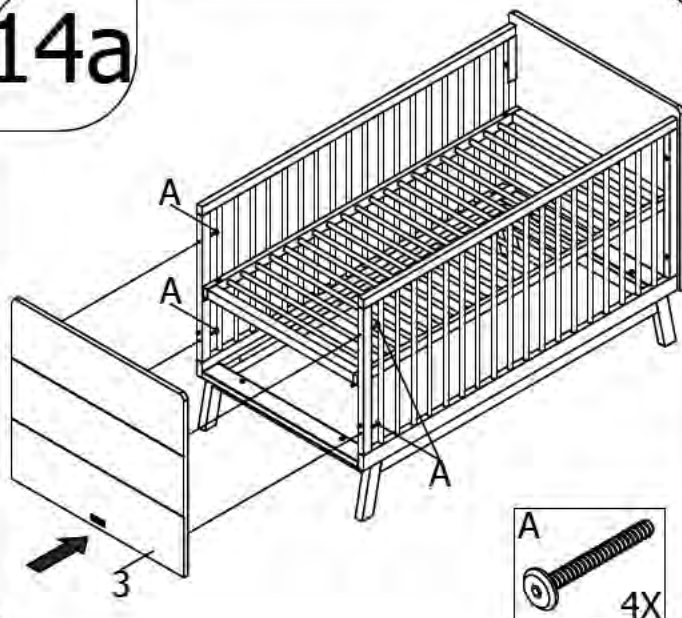
12a



13a

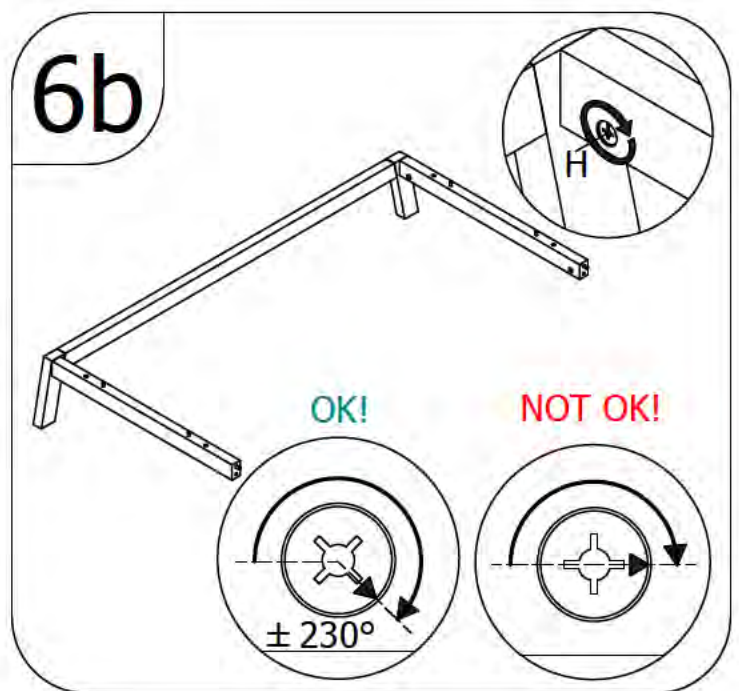
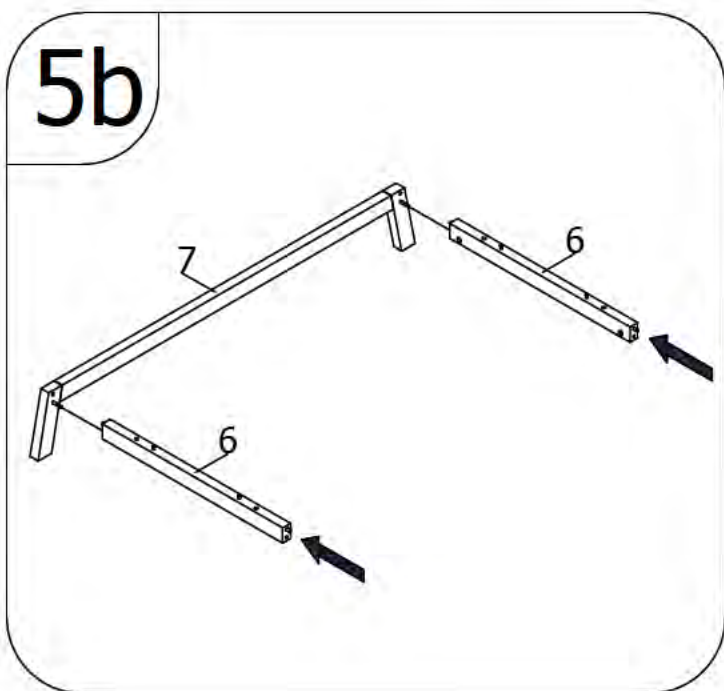
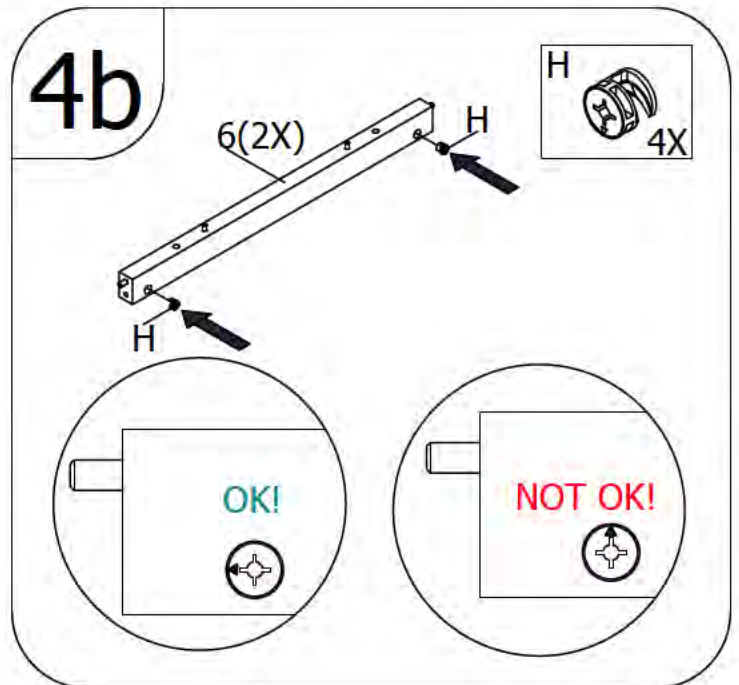
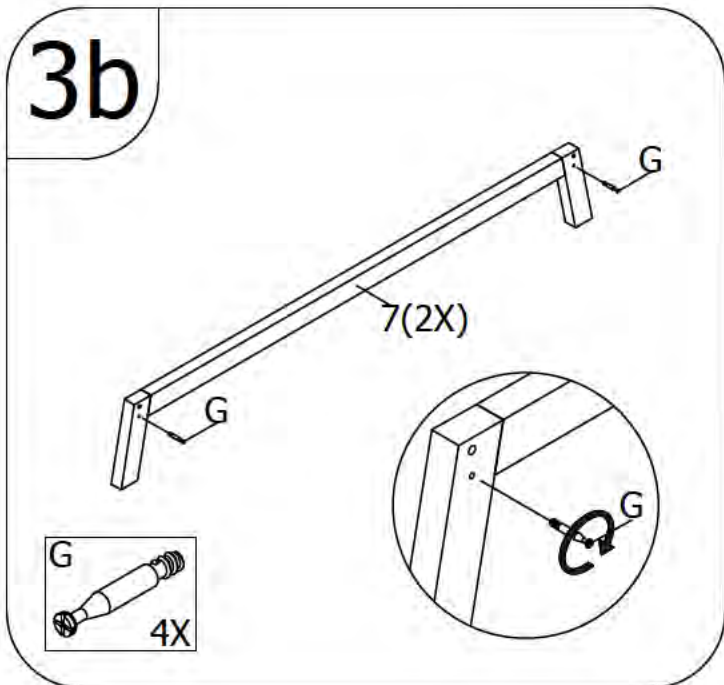
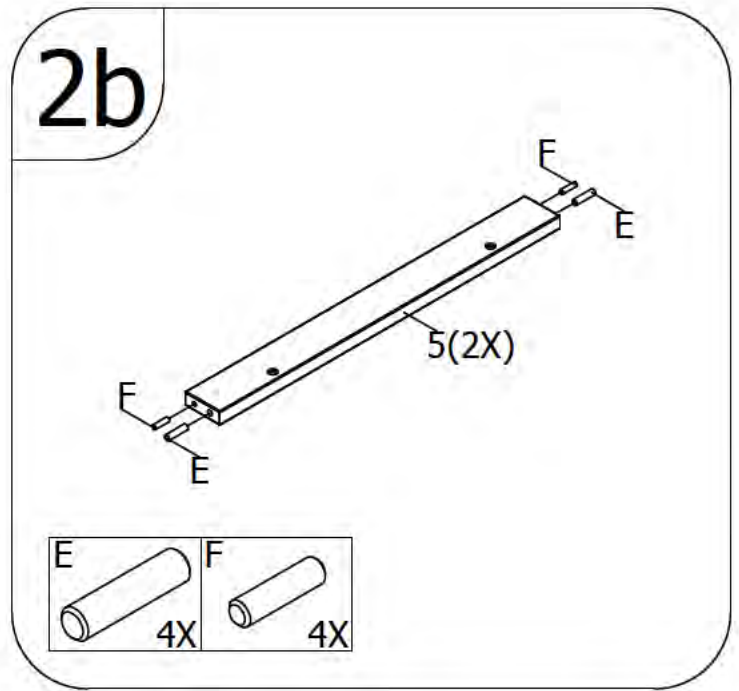
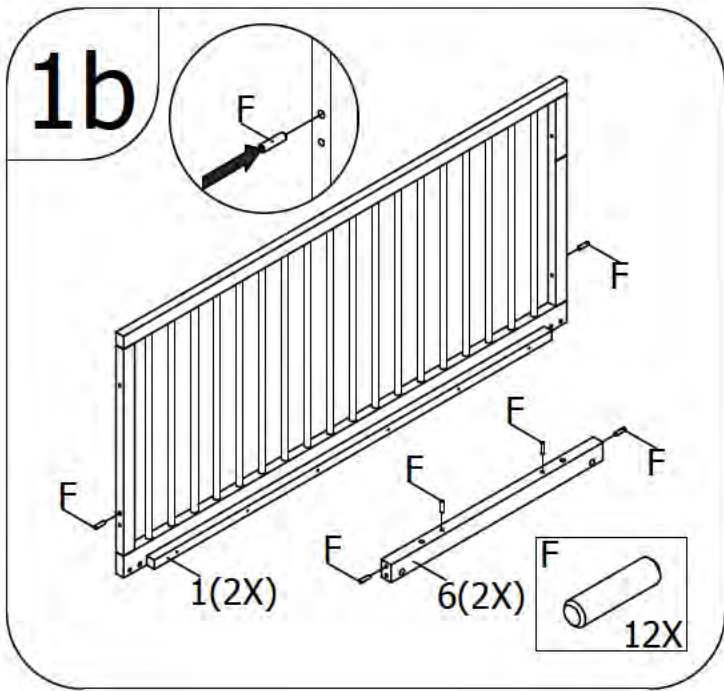


14a

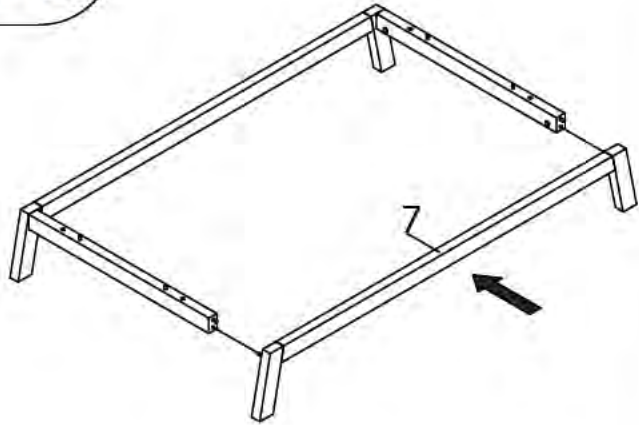


15a

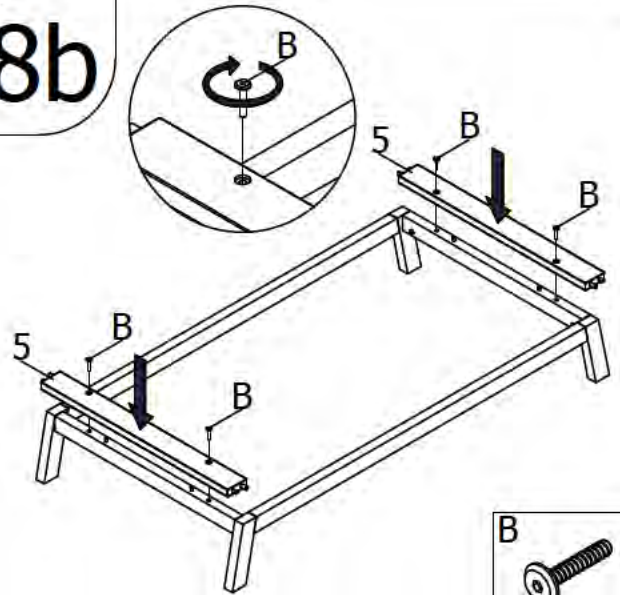




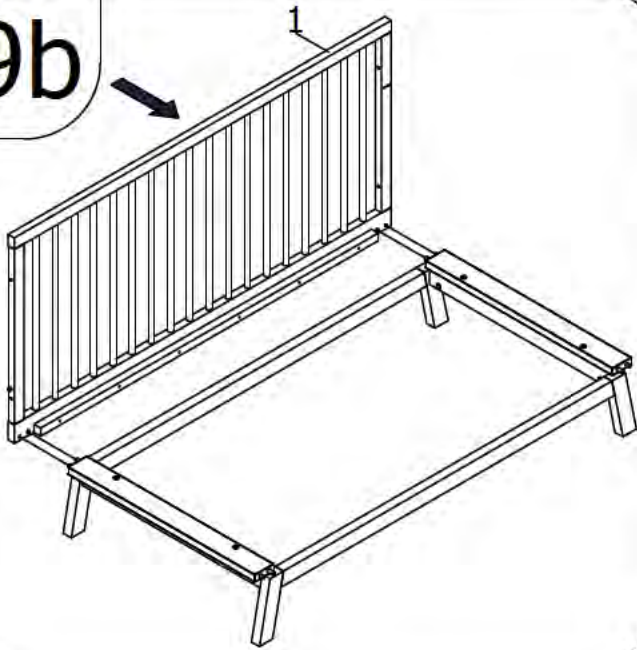
7b



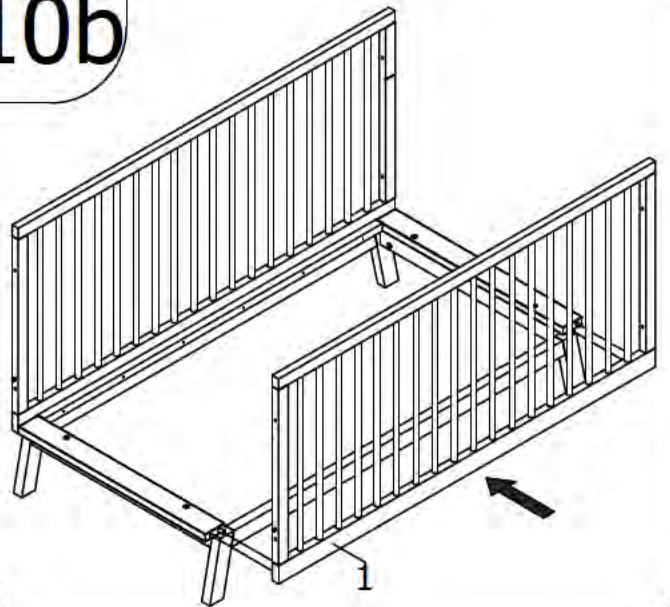
8b



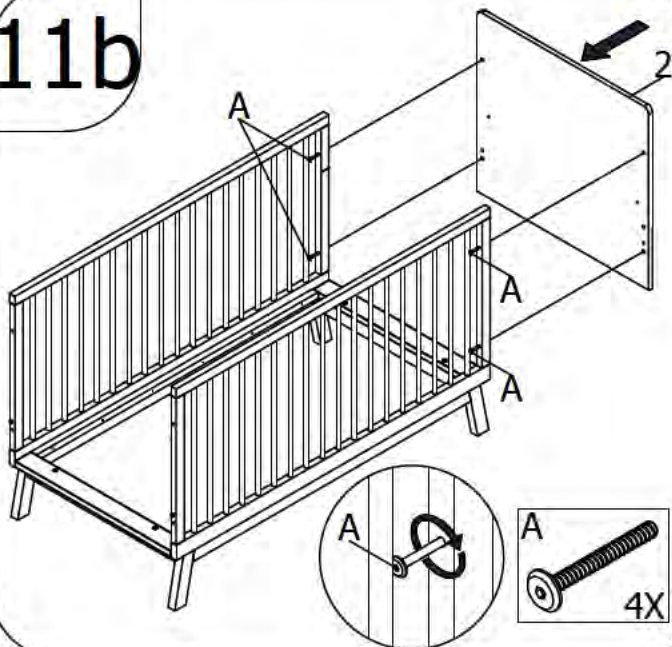
9b



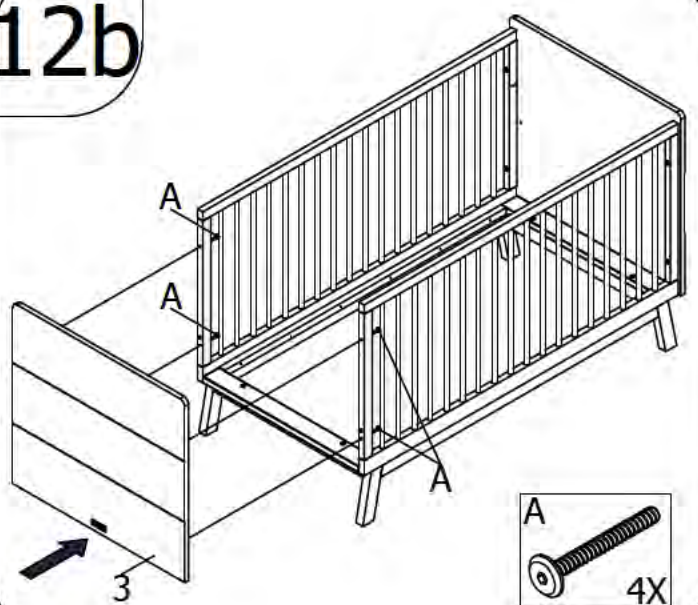
10b



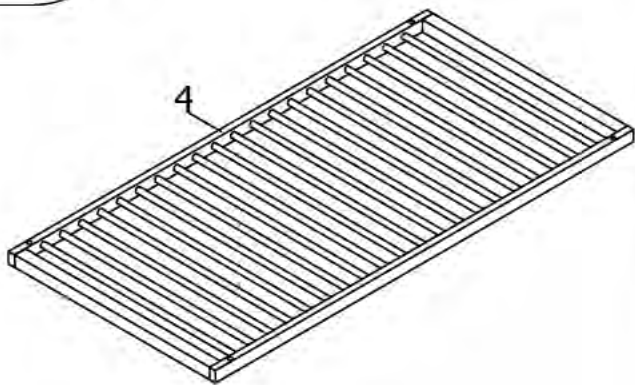
11b



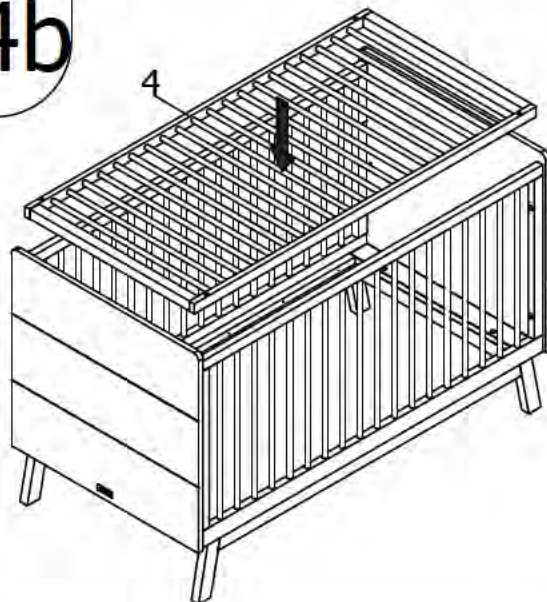
12b



13b

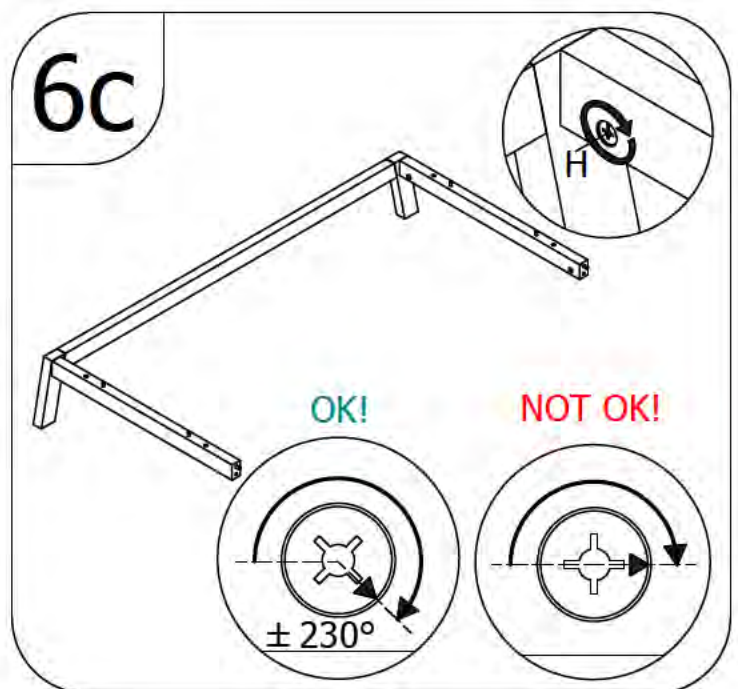
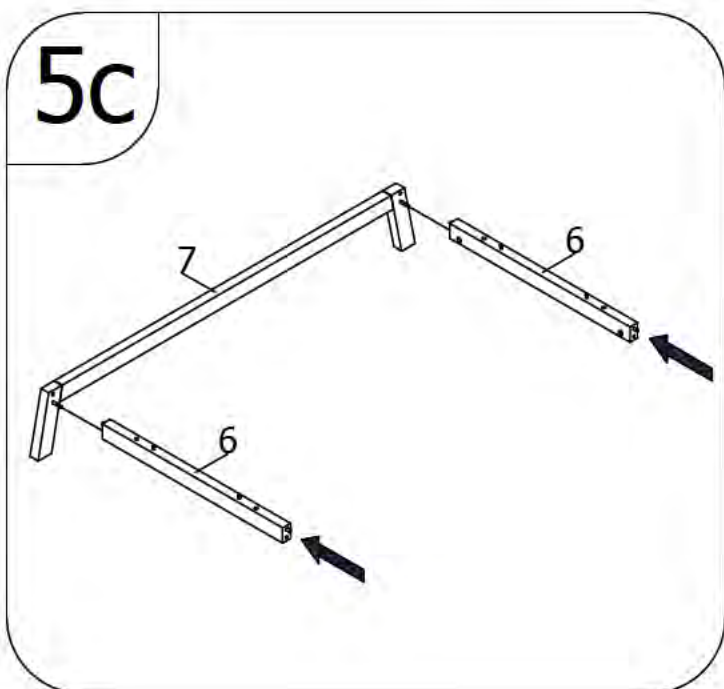
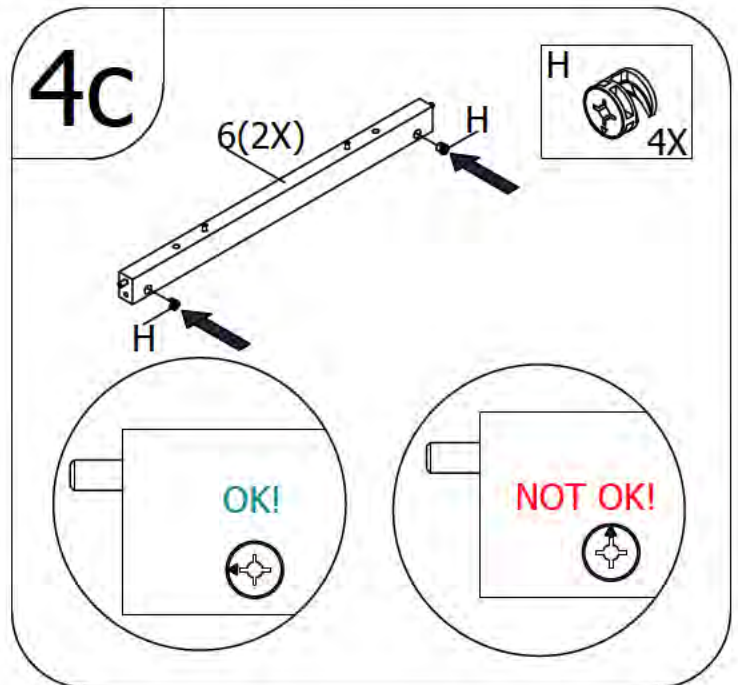
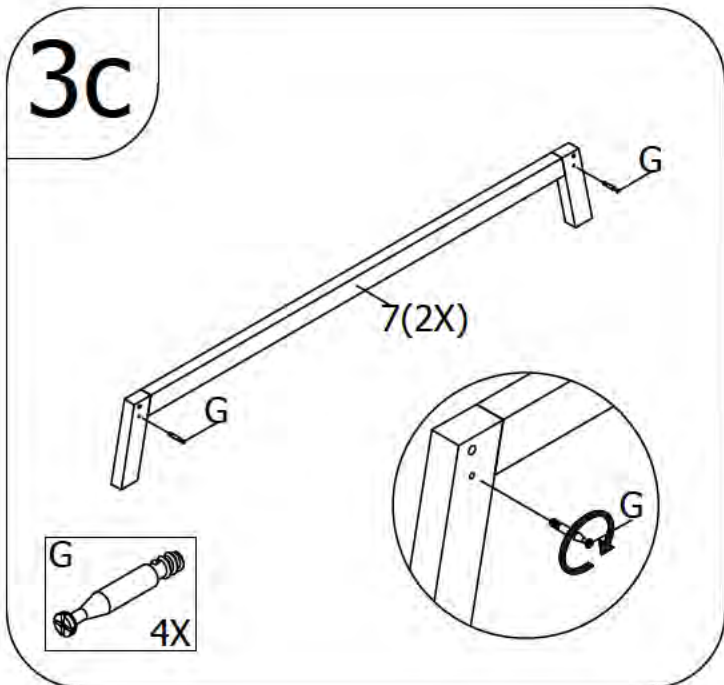
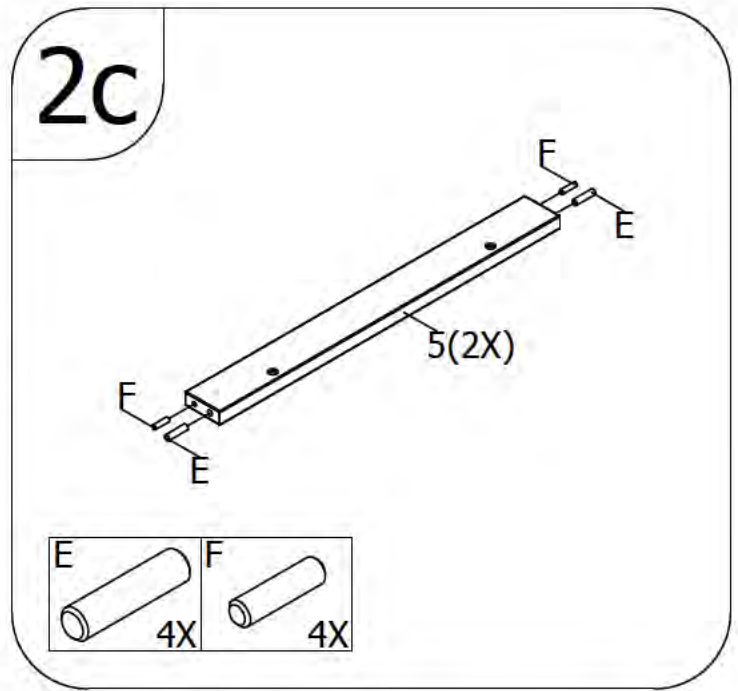
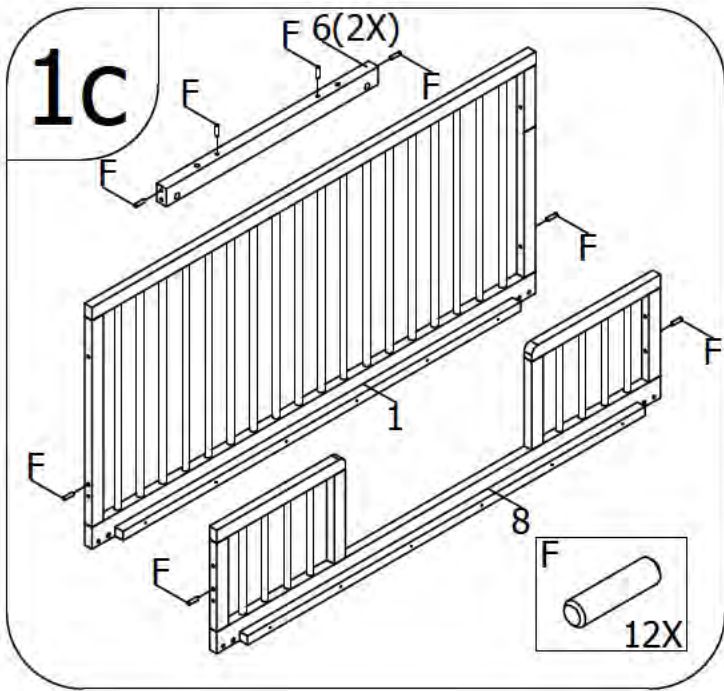


14b

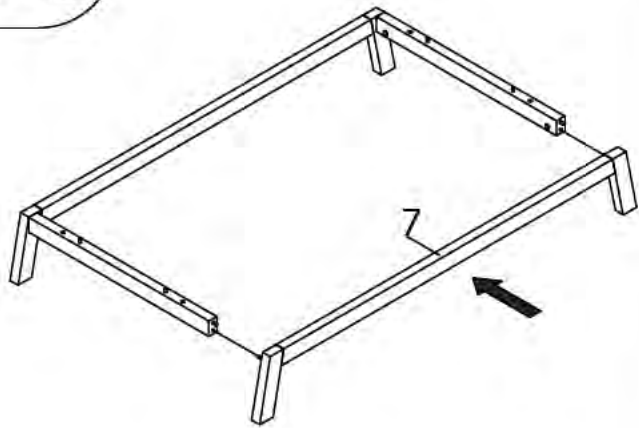


15b

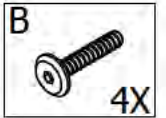
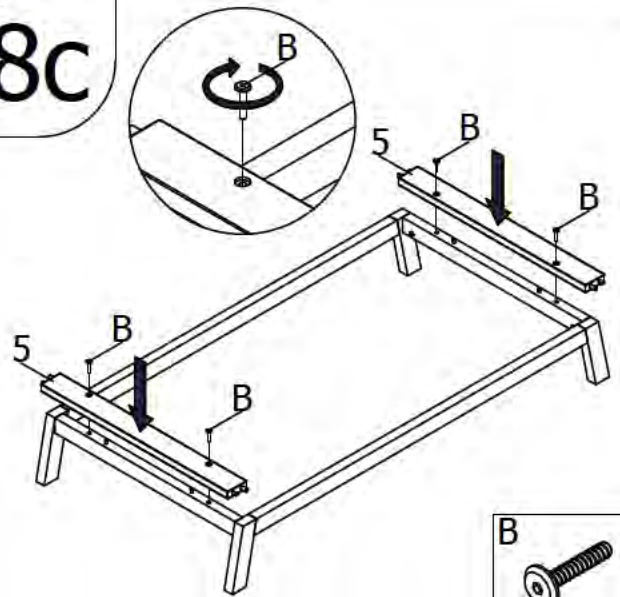




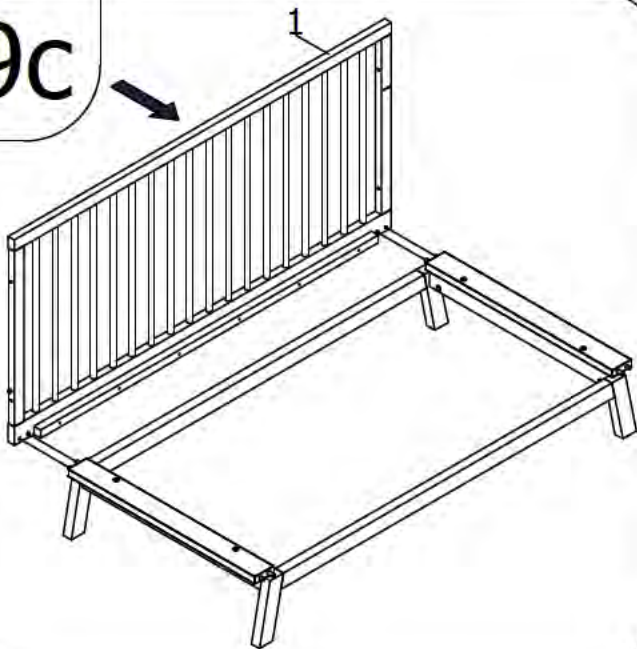
7c



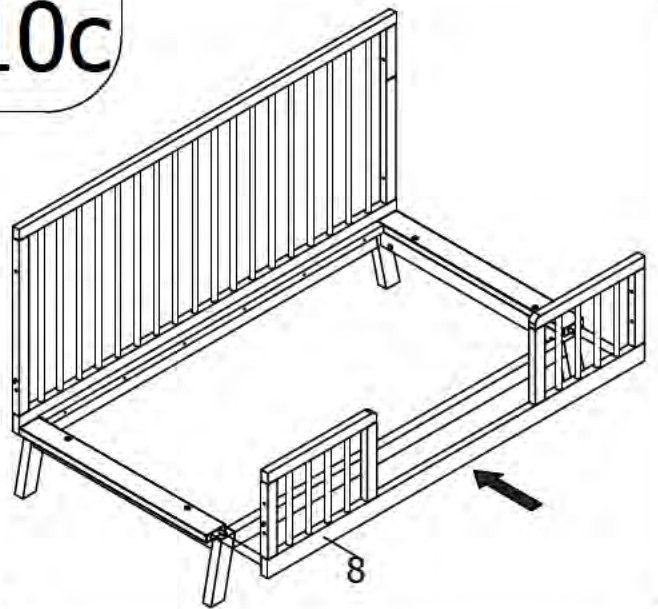
8c



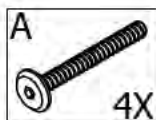
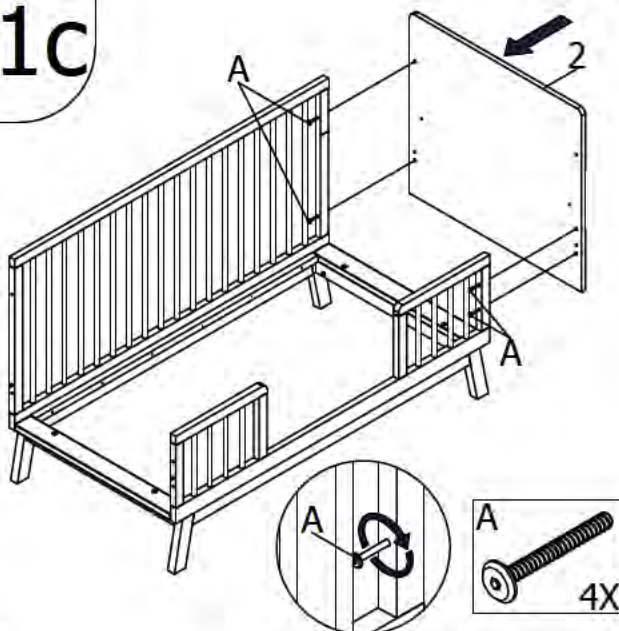
9c



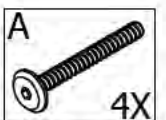
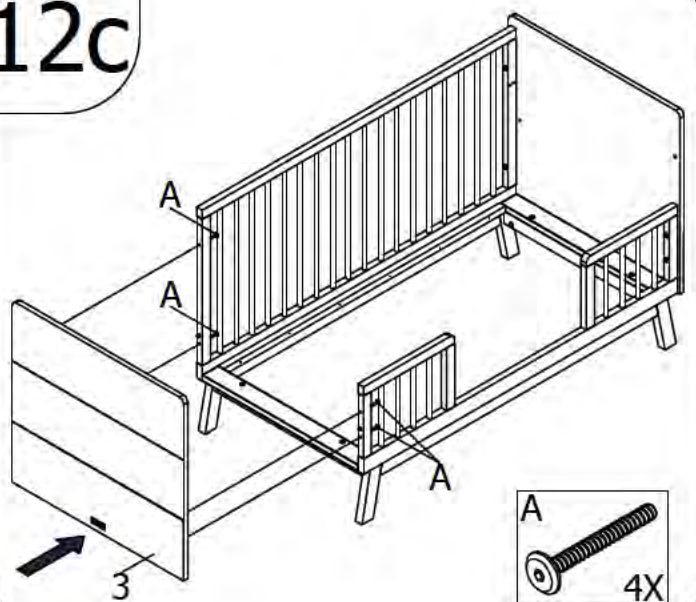
10c



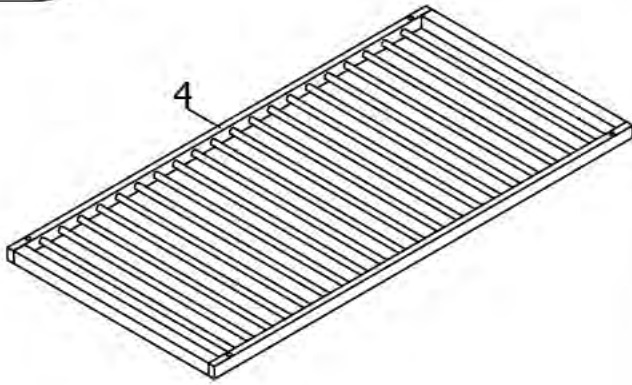
11c



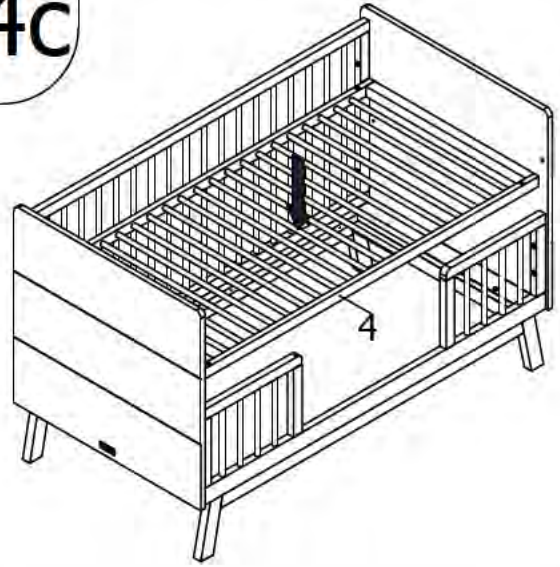
12c



13c



14c



15c

